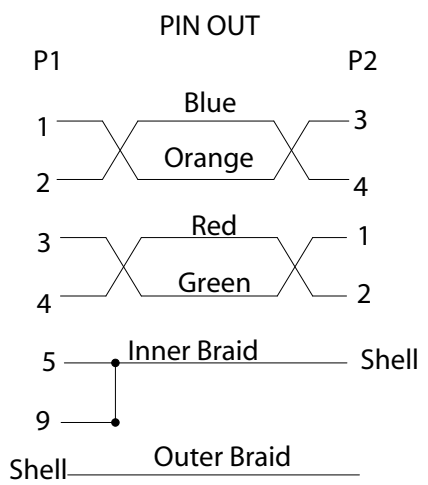
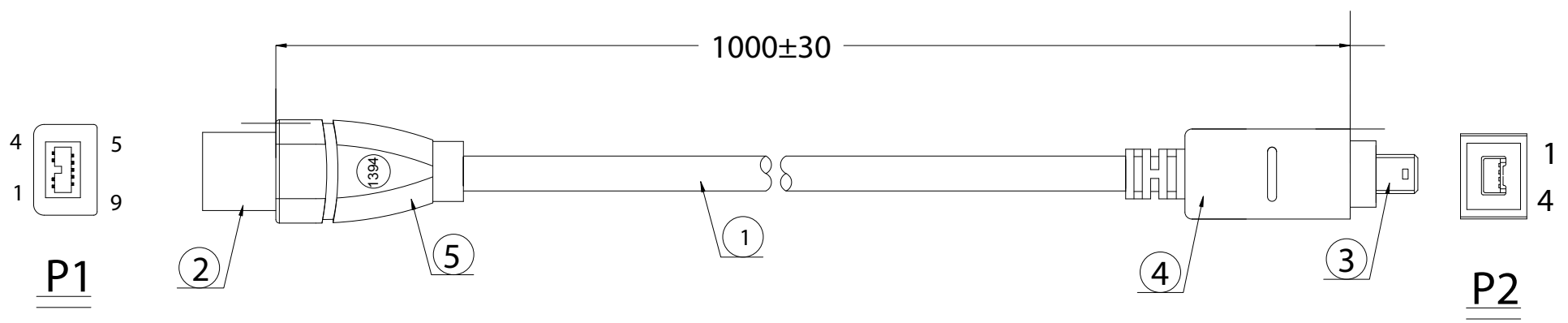


BY	CHK	REVISION RECORD MODIFICATIONS	DATE	REV.
Jimmy	Jimmy	RELEASE TO PRODUCTION	2006.05.15	A.0



Notes:

1.Electrical Test:

(1.1).100% Open Short and Miss Wire Test.

(1.2).Insulation Resistance:DC300V/0.01S 10M ohm MIN.

(1.3).Conduct Resistance:5ohm MAX.

2.ROHS Standard

⑤	Outer Mold	45P PVC Color:Gray(424C)	1PC
④	Outer Mold	45P PVC Color:Gray(424C)	1PC
③	IEEE1394 4P/M	Insulation:Black,Nickel Plated,,Black Plastic Cover,Solder Type	1SET
②	IEEE1394 9P/M	Insulation:Black,Shell Nickel Plated,Solder Type	1SET
①	Cable	UL20276[32AWG*1P+AB]*2+Myalr+AB OD:5.0mm Color:Black	1PC
NO. PARTS NO. Parts Name		Specification	Q'TY

APPROVED	CHECKED	DRAWN	CUSTOMER:	SWEDELTA CO
			ITEM NO.	FW-91-K
			DRAW NO.	CB043-C136
			UNIT	mm
			SCALE	NONE

DESCRIPTION:

IEEE 1394 9P/M - IEEE 1394 4P/M

