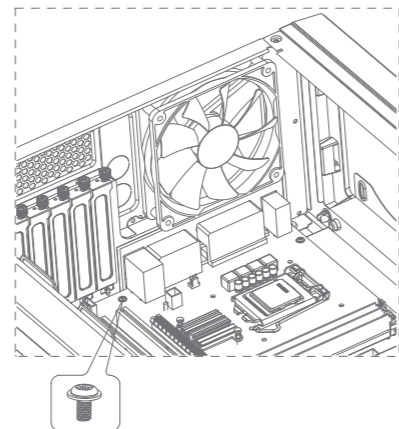


DUKASE LIQUID 公爵水冷版

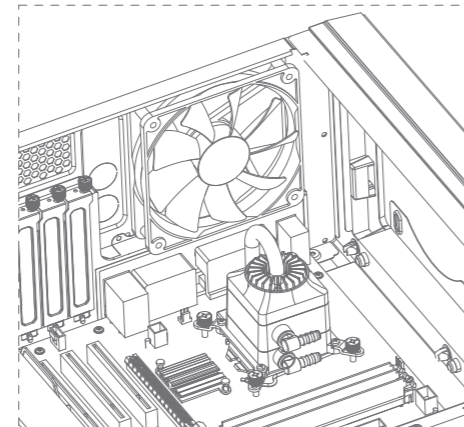
USER GUIDE 使用说明书

1. Motherboard Installation

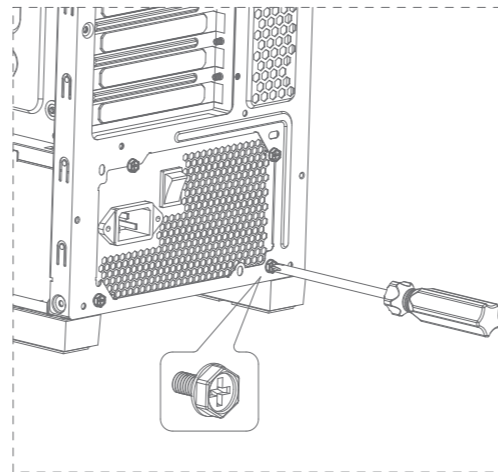
Motherboard Compatible: ATX / MICRO-ATX / MINI-ITX



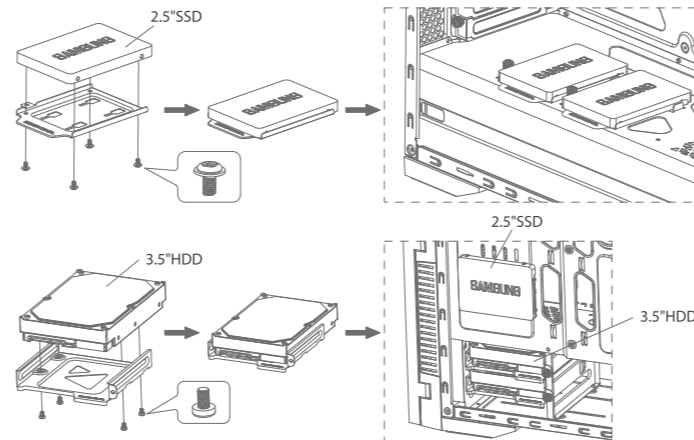
2. CPU Cooler Installation



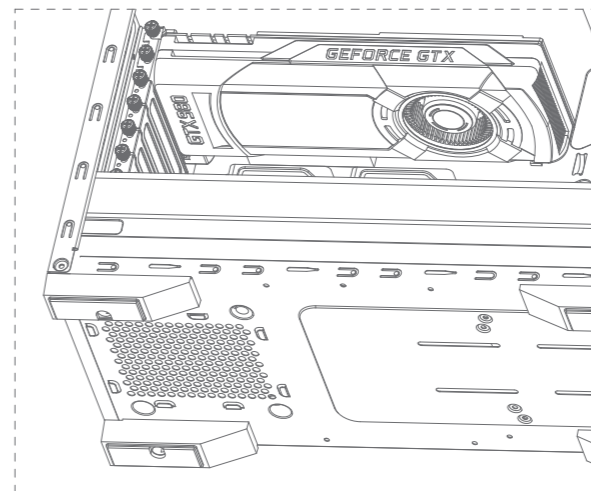
3. Power Supply Installation



4. HDD Installation



5. PCI card Installation



7. Cable Connection

	Panel Connector	High Definition Audio (Azalia)	USB 2.0 Connector	USB 3.0 Connector
Motherboard	IDELED+ <input type="checkbox"/> PLED+ IDELED- <input type="checkbox"/> PLED- Ground <input type="checkbox"/> PWR Reset <input type="checkbox"/> GND NC <input type="checkbox"/> No Pin	MIC2_L <input type="checkbox"/> AGND MIC2_R <input type="checkbox"/> PRESENSE# HP_R <input type="checkbox"/> MIC2_JD Jack_Sense <input type="checkbox"/> No Pin HP_L <input type="checkbox"/> HP_HD	USB+5V <input type="checkbox"/> USB+5V USB_P- <input type="checkbox"/> USB_P- USB_P+ <input type="checkbox"/> USB_P+ GND <input type="checkbox"/> GND No Pin <input type="checkbox"/> NC	IntA_P2_D+ <input type="checkbox"/> ID IntA_P2_D- <input type="checkbox"/> IntA_P1_D+ GND <input type="checkbox"/> GND IntA_P2_SSTX+ <input type="checkbox"/> IntA_P1_SSTX+ IntA_P2_SSTX- <input type="checkbox"/> IntA_P1_SSTX- GND <input type="checkbox"/> GND IntA_P2_SSRX+ <input type="checkbox"/> IntA_P1_SSRX+ IntA_P2_SSRX- <input type="checkbox"/> IntA_P1_SSRX- VBUS <input type="checkbox"/> VBUS
	POWER SW <input type="checkbox"/> PWR <input type="checkbox"/> GND RESET SW <input type="checkbox"/> Ground <input type="checkbox"/> Reset	H.D.D LED <input type="checkbox"/> IDELED+ <input type="checkbox"/> IDELED- POW LED- <input type="checkbox"/> PLED- POW LED+ <input type="checkbox"/> PLED+		

6. I/O, Outside Control

