

## TAKE FLIGHT

### ASUS Innovations

#### NV Features

- **NVIDIA Ampere Streaming Multiprocessors**  
The building blocks for the world's fastest, most efficient GPU, the all-new Ampere SM brings 2X the FP32 throughput and improved power efficiency.
- **2nd Generation RT Cores**  
Experience 2X the throughput of 1st gen RT Cores, plus concurrent RT and shading for a whole new level of ray tracing performance.
- **3rd Generation Tensor Cores**  
Get up to 2X the throughput with structural sparsity and advanced AI algorithms such as DLSS. These cores deliver a massive boost in game performance and all-new AI capabilities.



#### Aesthetic

A new shroud with metal accents mirrors the design aesthetic of ROG Strix motherboards. The side is lit with an addressable RGB strip that can be customized with Armoury Crate to sync up with other ROG products to create a uniform aesthetic.



#### Cooling

A MaxContact heat spreader efficiently transfers heat into a new heatsink that spans most of the card's 2.9-slot footprint. On top, three optimized Axial-tech fans work in tandem to drive air through the entire array, helping to keep temperatures under tight control.





## Axial-Tech Upgrades

The blade count has been increased on all three fans, with 13 on the center fan and 11 on the auxiliary fans. The barrier ring on the side fans has been slimmed down to allow for more lateral intake and to provide better airflow through the cooling array. The center fan's extra blades and full-height ring provide boosted static pressure to blast air directly onto the GPU heat spreader.



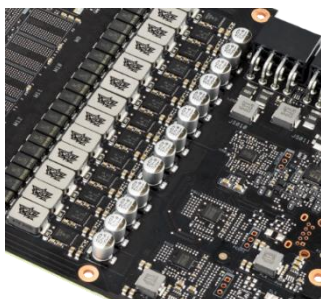
## It's Cooler Out Back

A wide backplate vent and shortened PCB allows hot air to escape towards chassis exhaust fans instead of being recycled by the GPU's circulating cooler design. A GPU bracket provides extra stability to the critical connection between die and heat spreader. The I/O bracket is made from stainless steel to protect ports and provide a more secure mount.



## Engineering

Top-shelf capacitors, chokes, and MOSFETs are selected to effortlessly deliver hundreds of watts at a millisecond's notice. Dubbed Super Alloy Power II, these components are soldered to the PCB using an Auto-Extreme automated manufacturing process, ensuring accurate placement and a perfect joint every time.



## New Directions

To bolster the specialized roles of the center and auxiliary fans, the rotational direction of the center fan has been reversed. This reduces airflow turbulence inside of the cooling array for another boost to the card's overall thermal performance.



## Dual BIOS

A conveniently placed Dual Bios switch allows quick selection between "performance" and "quiet" mode for basic customization of the card's default behavior without software.



## Software Suite

Hardware and software come together to let gamers fully customize and control their gaming experience. GPU Tweak II enables tweaks and monitoring, XSplit offers a robust streaming solution, and wtfast can improve routing to game servers for a more stable gaming connection.



## ASUS Features

**OC**  
Edition

### OC edition

1890 MHz GPU boost clock in OC mode for outstanding gaming experience.

**8GB**  
GDDR6  
Memory

### 8GB GDDR6 Memory

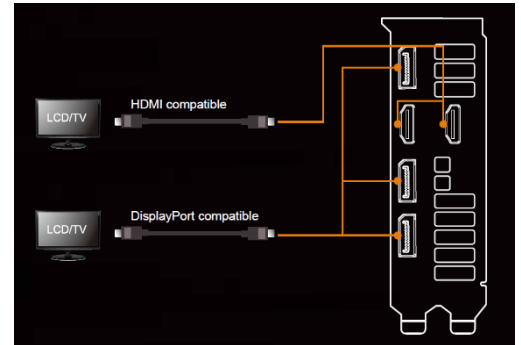
On-board memory for the best gaming experience & the best resolution.

**0dB**  
FAN  
Silent Gaming

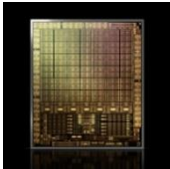
### 0dB Technology

An advanced controller brings fans to a standstill below 55 Celsius, letting you enjoy light gaming in relative silence.

## I/O Specifications



## NV Features



### NVIDIA AMPERE ARCHITECTURE

The all-new NVIDIA Ampere architecture delivers the ultimate play, featuring advanced 2nd generation Ray Tracing Cores and 3rd generation Tensor Cores with greater throughput.



### RTX. IT'S ON.

Experience today's biggest blockbusters like never before with the visual fidelity of real-time ray tracing and the ultimate performance of AI-powered DLSS



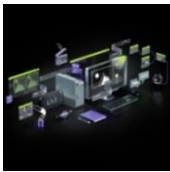
### DLSS AI ACCELERATION

NVIDIA DLSS is groundbreaking AI rendering that boosts frame rates with uncompromised image quality using the dedicated AI processing Tensor Cores on GeForce RTX. This gives you the performance headroom to crank up settings and resolutions for an incredible visual experience. The AI revolution has come to gaming.



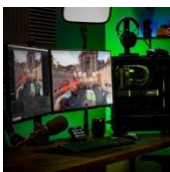
### VICTORY MEASURED IN MILLISECONDS

NVIDIA Reflex delivers the ultimate competitive advantage. The lowest latency. The best responsiveness. Powered by GeForce RTX 30 Series GPUs and NVIDIA® G-SYNC® monitors. Acquire targets faster, react quicker, and increase aim precision through a revolutionary suite of technologies to measure and optimize system latency for competitive games.



### UP YOUR CREATIVE GAME

Take your creative projects to a new level with GeForce RTX 30 Series GPUs. Delivering AI-acceleration in top creative apps. Backed by the NVIDIA Studio platform of dedicated drivers and exclusive tools. And built to perform in record time. Whether you're rendering complex 3D scenes, editing 8K video, or livestreaming with the best encoding and image quality, GeForce RTX GPUs give you the performance to create your best.



### STREAM LIKE A BOSS

Steal the show with incredible graphics and smooth, stutter-free live streaming. Next-generation hardware encoding and decoding combine to show off all your best moments in exquisite detail. And the all-new NVIDIA Broadcast app gives you powerful AI capabilities to improve audio and video quality with effects like virtual background, webcam auto frame, and microphone noise removal. So you can give your audience your best—every time.



### DIRECTX 12 ULTIMATE

Developers can now add even more amazing graphics effects to Microsoft Windows-based PC games. GeForce RTX graphics cards deliver advanced DX12 features like ray tracing and variable rate shading, bringing games to life with ultra-realistic visual effects and faster frame rates.



## Specifications

<b>Model Name</b>	<b>ROG-STRIX-RTX3060TI-O8G-GAMING</b>
Graphics Engine	NVIDIA GeForce RTX™ 3060 Ti
CUDA Cores	4864
OpenGL®	OpenGL® 4.6
Engine Clock	OC Mode : 1890 MHz (Boost Clock) Gaming Mode : 1860 MHz (Boost Clock)
Memory Interface	256-bit
Video Memory	8GB GDDR6
Memory Clock	14 Gbps
Power Connector	2 x 8-pin
I/O	2 x Native HDMI 2.1 3 x Native DisplayPort 1.4a
HDCP Compliant	HDCP 2.3
Digital Max. Resolution	7680 x 4320
Maximum Display Support	4
NVLink/Crossfire Support	N/A
Recommended PSU	750 W
Bus Standard	PCIe 4.0
Package Contents	1 x ROG Velcro Hook & Loop 1 x ROG Ruler 1 x Collection Card 1 x Speedsetup Manual
Software Bundled	ASUS GPU Tweak II & Driver (please download all software from the support site)
Slot	2.9 slot
<b>Dimension</b>	
Card Size (mm/inch)	318.5 x 140.1 x 57.78 mm 12.53 x 5.51 x 2.27 inches
Color Box (mm)	405 x 233 x 88.5 mm
<b>Weight</b>	
Single Card (KG)	1.833 KG
Product Weight (with packing) (KG)	2.469 KG
<b>Note</b>	* All specifications are subject to change without notice. Please check with your supplier for exact offers. Products may not be available in all markets. If you do not use the latest and current specifications of ASUS products, you shall be liable for all loss and damage claimed by third party to ASUS based on false advertising or any other issues caused from using false specifications of ASUS products.

