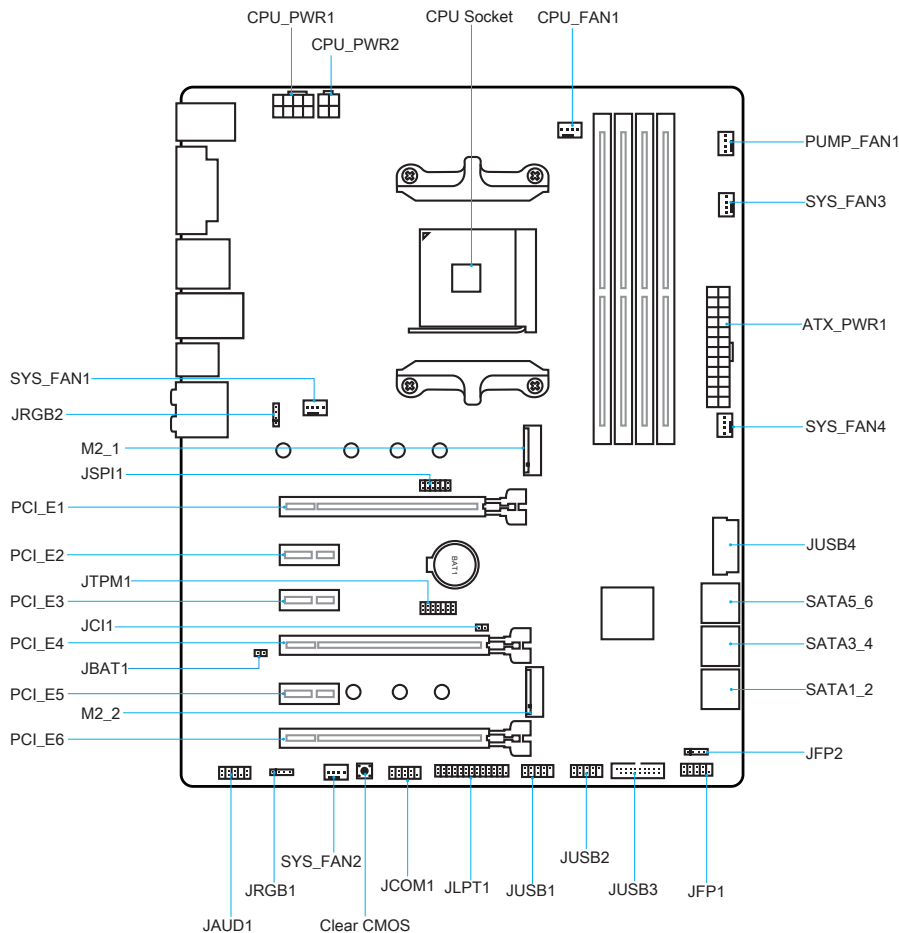


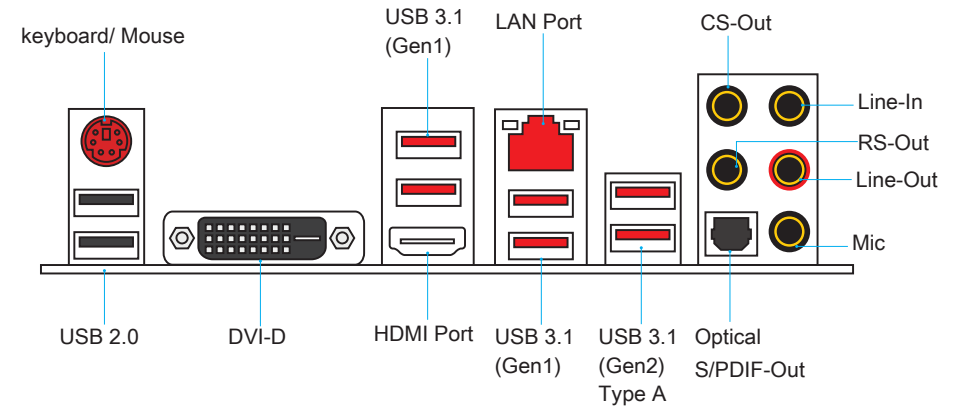
X470 GAMING PLUS

(MS-7B79v2.0)
ATX Motherboard

Motherboard Components Overview



Rear I/O Panel



Motherboard Specification

CPU Support

- Supports AMD® RYZEN Series Processors and 7th Gen A-series/ Athlon™ Processors for Socket AM4

Chipset

- AMD® X470 Chipset

Memory Support

- 4 x DDR4 memory slots supporting up to 64GB
- Supports DDR4 1866/ 2133/ 2400/ 2667/ 2933(OC)/ 3200(OC) MHz* memory modules
- * 7th Gen A-series/ Athlon Processors supporting max 2400 MHz
- Support Dual-Channel mode
- Support ECC memory

Expansion Slots

- 2x PCIe 3.0 x16 slots, PCIE_1, PCIE_4 (RYZEN Series Processors support

- x16, x8/x8 mode; 7th Gen A-series/ Athlon™ processors support x8 mode)
- 1x PCIe 2.0 x16 slot (supports x4 mode)
- 3x PCIe 2.0 x1 slots

Onboard Graphics

- 1x HDMI 1.4 port, supporting a maximum resolution of 4096x2160@30Hz, 2560x1600@60Hz
- 1x DVI-D port, supporting a maximum resolution of 1920x1200@60Hz

Multi-GPU Support

- Supports 3-Way AMD® CrossFire™ Technology

Storage

- AMD® X470 chipset
- 6x SATA 6Gb/s ports
- 1x M.2_1 port, supports PCIe3.0x4 (RYZEN Series Processor) or PCIe 3.0x2 (7th Gen A-series/Athlon Processor), 4.2cm/ 6cm/ 8cm/ 11cm length SSD cards

Motherboard Specification

- 1x M.2_2 port, supports PCIe 2.0 x4 and SATA 6Gb/s standards, 4.2cm/ 6cm/ 8cm length SSD cards
 - * SATA1 port will be unavailable when installing the SATA SSD cards in PCI_E6 slot.
 - * PCI_E6 slot will be unavailable when installing PCIe device in M2_2
- Supports RAID 0, RAID1, and RAID 10

USB

- AMD® X470 chipset
 - ▶ 4x USB 3.1 Gen1 ports (4 ports available through the internal USB connector)
 - ▶ 6x USB 2.0 ports (2 ports on the back panel, 4 ports available through the internal USB connectors)
- AMD® RYZEN Series Processors/ 7th Gen A-series/ Athlon™ Processors
 - ▶ 4x USB 3.1 Gen1 ports (4ports on the back panel)
- ASMedia® ASM1143 Chipset
 - ▶ 2x USB 3.1 Gen2 (SuperSpeed USB) ports

Audio

- Realtek® ALC892 Codec
- 7.1-Channel High Definition Audio
- Supports S/PDIF output

LAN

- 1x Realtek® 8111H Gigabit LAN controller

Back Panel Connectors

- 1x PS/2 keyboard/ mouse combo port
- 2x USB 2.0 ports
- 1x DVI-D port
- 1x HDMI™ 1.4 port
- 4x USB 3.1 Gen1 ports
- 2x USB 3.1 Gen2 ports (Type A*2)
- 1x LAN (RJ45) port
- 1x Optical S/PDIF OUT connector
- 5x OFC audio jacks

Internal Connectors

- 1x 24-pin ATX main power connector
- 1x 8-pin ATX 12V power connector
- 1x 4-pin ATX 12V power connector
- 6x SATA 6Gb/s connectors
- 2x USB 2.0 connectors (supports additional 4 USB 2.0 ports)
- 2x USB 3.1 Gen1 connectors (supports additional 4 USB 3.1 Gen1 ports)
- 1x 4-pin CPU fan connector
- 1x 4-pin PUMP fan connector (support up to 2A)
- 4x 4-pin system fan connectors
- 1x Front panel audio connector
- 2x System front panel connectors
- 1x TPM module connector
- 1x Chassis Intrusion connector
- 2x LED connectors
- 1x Serial port connector
- 1x Parallel port connector
- 1x clear CMOS header
- 1x clear CMOS button

I/O Controller

- NUVOTON NCT6795 Controller Chip

Hardware Monitor

- CPU/System temperature detection
- CPU/System fan speed detection
- CPU/System fan speed control

BIOS Features

- 1x 128 Mb flash
- UEFI AMI BIOS
- ACPI 6.0 , SMBIOS 3.0
- Multi-language

Performance GAMING Features

- Audio
 - ▶ Audio Boost
 - ▶ Nahimic 3
- Network

- ▶ Network Genie
- Storage
 - ▶ Twin Turbo M.2
- Fan
 - ▶ Pump Fan
 - ▶ Smart Fan Control
- LED
 - ▶ Mystic Light
 - ▶ Mystic Light Extension (RGB)
 - ▶ Mystic light SYNC
 - ▶ EZ DEBUG LED
- Protection
 - ▶ PCI-E Steel Armor
- Performance
 - ▶ Multi GPU-CrossFire Technology
 - ▶ DDR4 Boost
 - ▶ GAME Boost
 - ▶ X-Boost
- Stability
 - ▶ 7000+ Quality Test
- VR
 - ▶ VR Ready
- Gamer Experience
 - ▶ Dragon eye
 - ▶ RAMDisk
- BIOS
 - ▶ Click BIOS 5
- Certification
 - ▶ GAMING Certified

MSI Exclusive Features

- APP MANAGER
- SUPER CHARGER
- COMMAND CENTER
- LIVE UPDATE 6
- SMART TOOL
- RAMDISK
- X-BOOST
- DRAGON EYE

- GAMING APP
- MYSTIC LIGHT
- Nahimic Audio
- Open Broadcaster Software (OBS)
- TriDef® VR & SmartCam
- WFFast
- CPU-Z MSI GAMING
- Google Chrome™, Google Toolbar, Google Drive
- Norton™ Internet Security Solution
- Network Genie

Form Factor

- ATX
- 304.8 mm x 243.84 mm